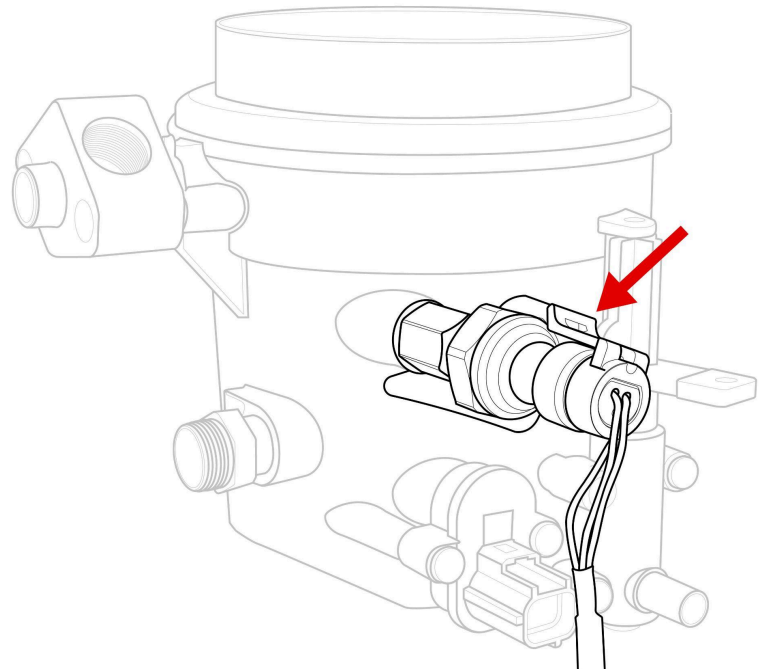


Fuel Pressure Thread Adapter for Ford Super Duty 7.3 Powerstroke

1. Disconnect the battery cables from the negative posts of the batteries.
2. Remove the fitting from the pressure port on the passenger side of the fuel filter housing that is facing the firewall using a 3/16" Allen key.
3. Thread the fuel pressure adapter into the fuel filter housing's pressure port.
 - Be sure to tighten the fuel pressure adapter so that the supplied o-ring seals the pressure port on the fuel filter housing.
4. Install your fuel pressure sensor directly into the female end of the fuel pressure adapter.
 - Be sure to use Teflon tape on the sensor threads to ensure a tight seal.
5. Finish installing your fuel pressure gauge by following the instructions that are included with it.



All GlowShift Products are subject to the GlowShift Limited Warranty. Please visit <https://www.glowshiftdirect.com/warranty-policies> to review complete Warranty, Terms, and Conditions