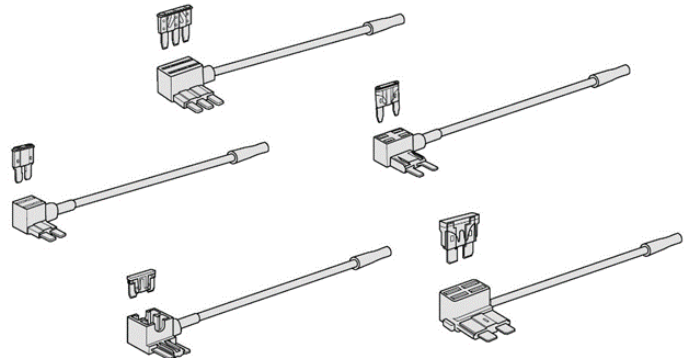


## Expandable Circuit Installation Instructions

**PLEASE READ THE FOLLOWING INSTRUCTIONS THOROUGHLY BEFORE INSTALLING THIS EXPANDABLE CIRCUIT.**

**Warning:** The improper installation of this Expandable Circuit will void all included warranties. For full warranty information please visit [www.GlowShiftDirect.com](http://www.GlowShiftDirect.com).

This Expandable Circuit is designed to easily connect any 12-volt vehicle accessory to your fuse panel without cutting and splicing into any of your vehicle's existing wiring. A maximum of 4 gauges may be used per Expandable Circuit. Multiple Expandable Circuits will be needed for connecting to each constant (un-switched), ignition (switched) and headlight-switched 12-volt source.



1. Before installing the Expandable Circuit, disconnect the negative side of your vehicle's battery.
2. Using wire strippers, strip the lead power wire of the lighting kit that you are installing.
  - The lead power wire is usually red or black with a white stripe running the length of the wire.
3. Insert the lead power wire into the open end of the butt connector on the red wire coming off of the Expandable Circuit.
4. Once the lead wire is inserted into the butt connector, use a crimping tool to crimp the butt connector and secure the connection.
5. Locate your fuse panel and select a fuse that does not exceed 20 amps to power your kit.
  - This may be a **constant (un-switched)** or an **ignition (switched)** 12-volt source, depending on the installation location you choose.
  - Choose a non-vital fuse source to power your kit, a couple of good examples would be your radio, cigarette lighter, or rear defroster.
6. Be sure that the power source you select is consistent with your desired installation.
  - If you would like your kit to be powered when you turn your key then you would need to select an **ignition or switched** power source.
  - If you would like your kit to be powered independently from the ignition switch then you will need to select a **constant or un-switched** power source.
  - This type of installation may drain your battery if your kit is left on and unattended. Please note that the kit will have power at all times, even when the vehicle is turned off.
7. Remove the fuse from the fuse panel where you have chosen to bridge power.
8. Plug the fuse you just removed into the open fuse socket of the Expandable Circuit.
9. Each Expandable Circuit comes with either a 4 or 5-amp fuse. Be sure that the included fuse is plugged into the slot on the Expandable Circuit that the wire is attached to.
10. Replace the fuse you removed from your fuse panel by inserting the Expandable Circuit into its empty spot.
11. Connect the ground wire from your kit to a reliable ground source or bare metal location.
12. Once the Expandable Circuit is installed, reconnect the negative side of your battery.

All GlowShift Products are subject to the GlowShift Limited Warranty. Please visit <https://www.glowshiftdirect.com/warranty-policies> to review complete Warranty, Terms, and Conditions.