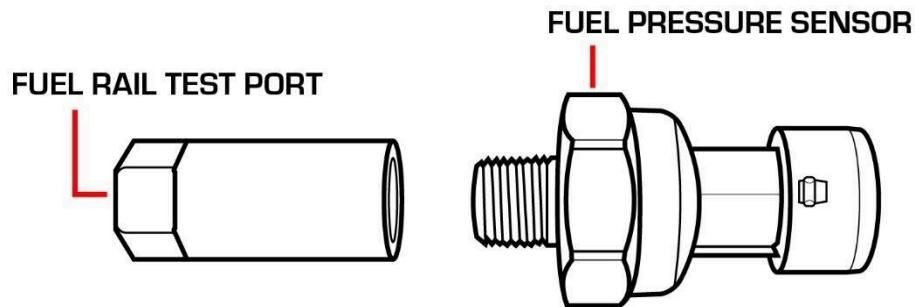


Fuel Rail Thread Adapter for Ford Schrader Valve

1. Locate the fuel pressure test port on the fuel rail and remove the cap.
2. Thread your fuel pressure sensor into the smooth female end of the Ford Fuel Rail Adapter and tighten using a 13mm and 22mm wrench.
3. Place a shop towel under the fuel pressure test port, install the Ford Fuel Rail Adapter to the fuel pressure test port and tighten using a 13mm wrench.
4. Be sure to remove the towel before starting the engine. Start the engine, check for leaks and be sure that the fuel pressure gauge is reading correctly.
5. If there is no reading on your fuel pressure gauge, the Ford Fuel Rail Adapter is not depressing the Schrader valve and needs to be adjusted. Remove the Ford Fuel Rail Adapter and remove the sensor from the adapter. Using a 1/16" Allen key, rotate clockwise to adjust the pin closer to the Schrader valve. Turn counterclockwise to adjust the pin further away. Once the correct depth is set, reinstall the Ford Fuel Rail Adapter beginning with Step 2.

All GlowShift Products are subject to the GlowShift Limited Warranty. Please visit <https://www.glowshiftdirect.com/warranty-policies> to review complete Warranty, Terms, and Conditions.