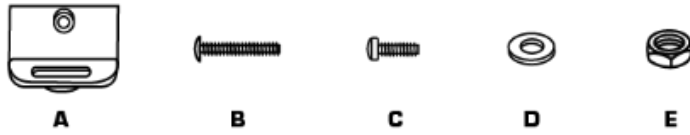


Dashboard Gauge Pod for 2002-2007 Subaru Impreza WRX



1. **⚠WARNING:** Prior to the installation of this dashboard gauge pod, disconnect the negative side of your vehicle's battery.
2. Using a trim removal tool, carefully remove the clock trim from your vehicle. Insert the tool into the rear seam of the trim, releasing the spring clips.
3. Disconnect the wiring harness and remove the clock from the dashboard.
4. Drill a 13/64" hole on the left plastic tab. [Ref. Diagram 1]
5. Mount bracket [A], to the right side mounting location with the flat side facing out, and place washer [D] under the bracket as a spacer. [Ref. Diagram 2]
 - Using [C] & [E], secure the bracket to the dash. [Ref Diagram 3]
6. Repeat step 5 for the bracket on the left side.
7. Place the pod over the brackets. Using a scoring tool, mark the bracket holes on the pod from the inside, and drill a 5/32" hole. [Ref Diagram 4]
8. Connect the 2 1/16" [52mm] gauge wires to their sensors and power by following the instructions that are included with the gauges.
9. Finish the install by placing the pod over the brackets, aligning the holes, and securing the pod using [B] to the brackets. Tighten using a 2mm Allen Wrench.
10. Reconnect the negative side of the vehicle's battery.

DIAGRAM 1

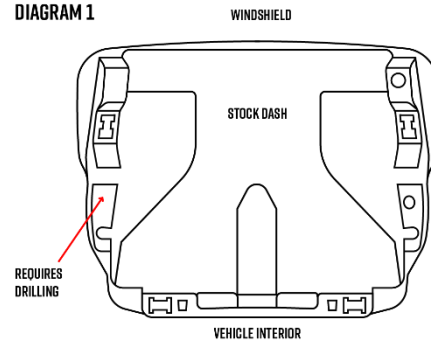


DIAGRAM 2

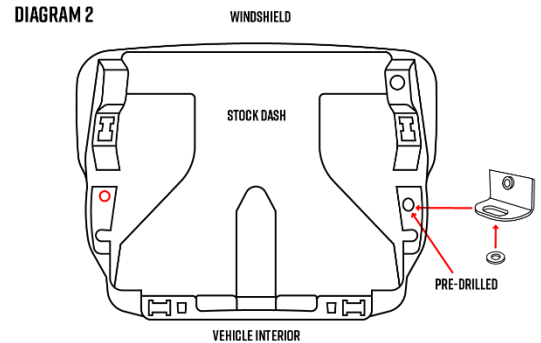


DIAGRAM 3

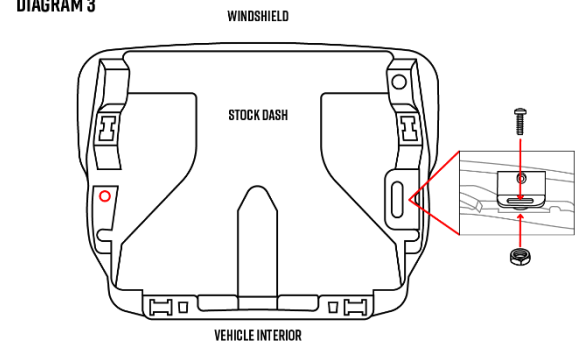
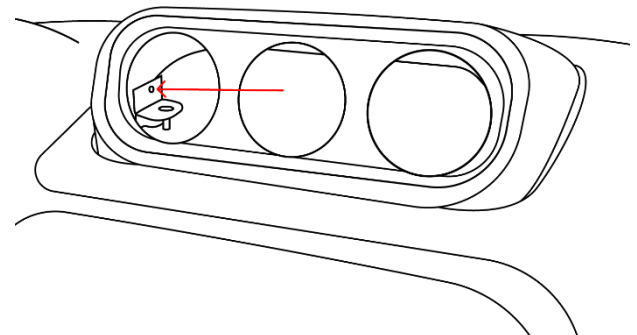


DIAGRAM 4



All GlowShift Products are subject to the GlowShift Limited Warranty. Please visit <https://www.glowshiftdirect.com/warranty-policies> to review complete Warranty, Terms, and Conditions.