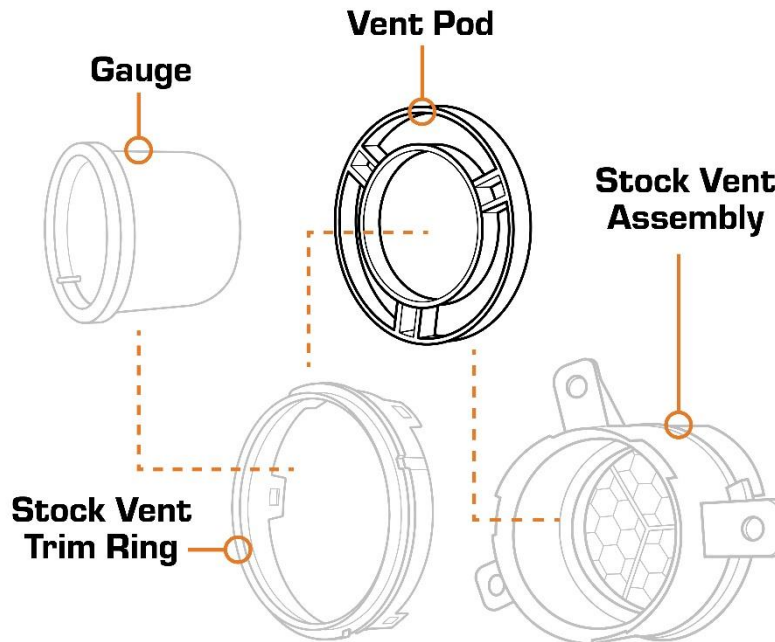


**Vent Gauge Pod for 2010-2015 Camaro**

1. Carefully remove the dash trim around the vent assembly by releasing the locking.
2. Using a 7mm socket remove the 3 screws holding the vent assembly into the dash.
3. Using a panel pop tool, carefully lift the small tabs from the vent trim ring and remove from the vent assembly.
4. Place the vent diffuser door off to the side and store away as it will no longer be used.
5. Place the vent pod gauge ring in the black vent assembly and reinstall the vent trim ring.  
**Note:** If the vent pod ring is loose, install the supplied foam tap to the outside of the ring to hold in place.
6. Reinstall the vent trim ring to the assembly.
7. With the vent assembly back together, temporarily slide the gauge in and test-fit the clearance inside the vent assembly. It may be necessary to trim the honeycomb on the black vent assembly for the gauge and wiring to fit properly.
8. Once you have confirmed that there is enough clearance, slide the gauge into the vent pod.  
**Note:** The vent pod is designed to hold the gauge in place, if your gauge is loose or if you want to secure it, install the studs on the back of the gauge and secure with the supplied gauge bracket. Be sure **NOT TO OVERTIGHTEN** the nuts on the back of the gauge.
9. Slide the vent assembly back into the dash and reinstall the 3 screws.
10. Reinstall the dash trim.
11. Finish installing the gauge following the gauge instructions.

All GlowShift Products are subject to the GlowShift Limited Warranty. Please visit <https://www.glowshiftdirect.com/warranty-policies> to review complete Warranty, Terms, and Conditions.